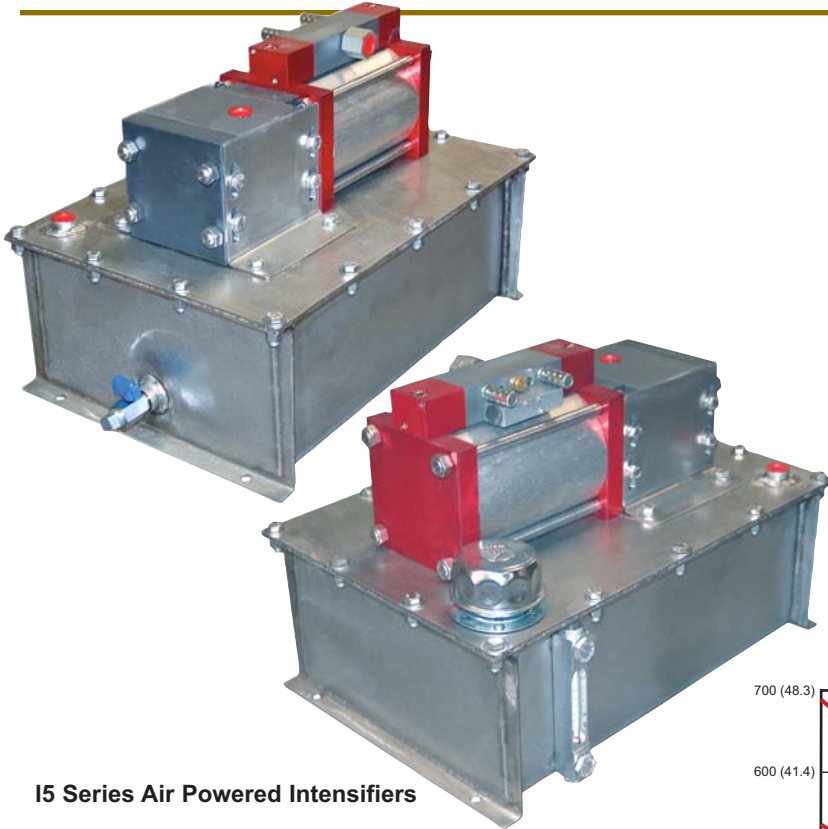


I5 INTENSIFIERS

I5 SERIES- AIR POWERED INTENSIFIERS



5" Air Motor/ 600 - 20,000 psi



I5 Series Air Powered Intensifiers

Standard Models

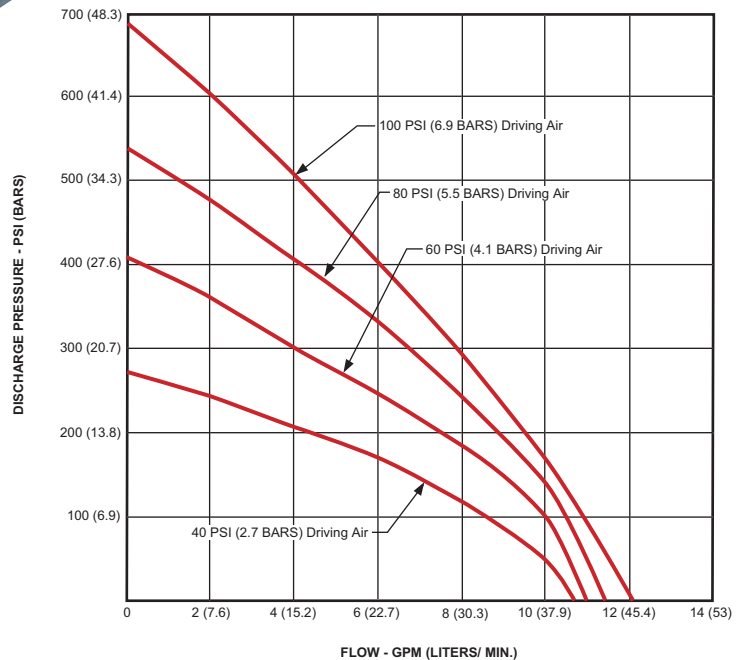
Design Series - Max. Output Pressure

- I5 - 600
- I5 - 1000
- I5 - 2000
- I5 - 3000
- I5 - 5000
- I5 - 8000
- I5 - 10,000
- I5 - 20,000

Features

1. **Double Acting:** Greatly increases flow versus single acting pumps
2. **Removable Air Valve:** Only three bolts removed to repair/ replace
3. **Corrosion Resistant:** Anodized aluminum with 316SS check valves standard
4. **Non-Shock Efficient:** Cycling valve senses the air piston's position and shifts before the piston strikes the end cap. Prevents unnecessary build up of pressure required by many pumps- reduces air requirements

Performance Curves



MODEL	RATIO	Displacement Per Cycle (Cu. inch)	DISCHARGE CAPACITY - gallons per minute, approximate, based on 50 SCFM* of driving air at 100 psi (6.9 bar)												
			Discharge Pressure - psi												
			0	100	250	350	500	1000	2000	3000	4000	5000	6000		
I5-5B-2.00R-CR1-5G	6:1	9.72	12.0	10.9	8.6	7.0	4.0								
I5-5B-1.50R-CR1-5G	12:1		6.81	6.23	5.29	4.61	3.33								
I5-5B-1.13R-CR1-5G	20:1														
I5-5B-0.94R-CR1-5G	32:1	4.90	3.1	2.95	2.92	2.9	2.85	2.7	2.1	1.1					
I5-5B-0.75R-CR1-5G	57:1														
I5-5B-0.69R-CR1-5G	88:1	2.82	**	**	**	**	2.23	2.10	1.84	1.44	1.07	0.71	0.14		
I5-5B-0.63R-CR1-5G	140:1														
I5-5B-0.56R-CR1-5G	320:1														

*Discharge capacity of I5-5B-.75R-CR1-5G is based on 85 SCFM of driving air at 100 psi

**Available externally piloted only.



I5 INTENSIFIERS

I5 SERIES- AIR POWERED INTENSIFIERS

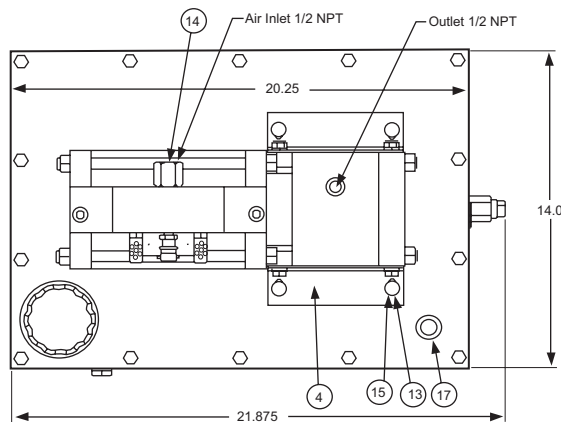


5" Air Motor/ 600 - 20,000 psi

Dimensional Data

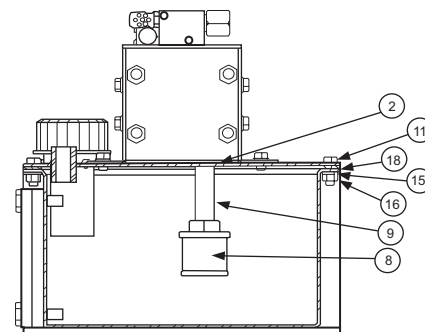
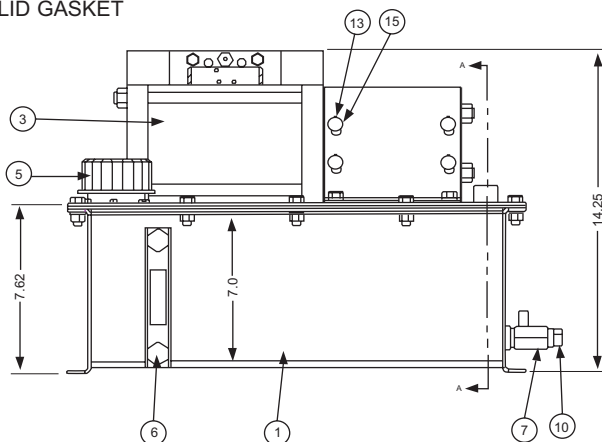
ITEM IDENTIFICATION:

1. PROJ92 TANK
2. PROJ92 PUMP GASKET
3. PROJ92 PUMP ASSEMBLY
4. PROJ92 PUMP BRACKET
5. HYV FILLER BREATHER FB-125
6. HYV SIGHT LEVEL GAUGE
7. DYNA .5 NPT BALL VALVE
8. HYV P3-.5-30 SUCTION STRAINER
9. HYV S-STR-8MP x 3.5 NIPPLE
10. HYV S-PLU-S-8MP SQ HEAD
11. HYV .375-16-UNC-X-1.00-HH-316
12. HYV 10-24-UNC-X-.25-HH-316
13. HYV .375-16-UNC-X-.5-HH-316
14. S-STR-8FP-6MS
15. .375-316-LK-WASHER
16. HYV .375-16-UNC-RG-316-NUT
17. 8FP FULL COUPLER
18. PROJ92 TANK LID GASKET



Air Inlet:
1/2" Female NPT
100 psi max.

Fluid Outlet:
1/2" Female NPT



Ordering Information

I5 - 5B - 2.00R - CR1 - 5G

